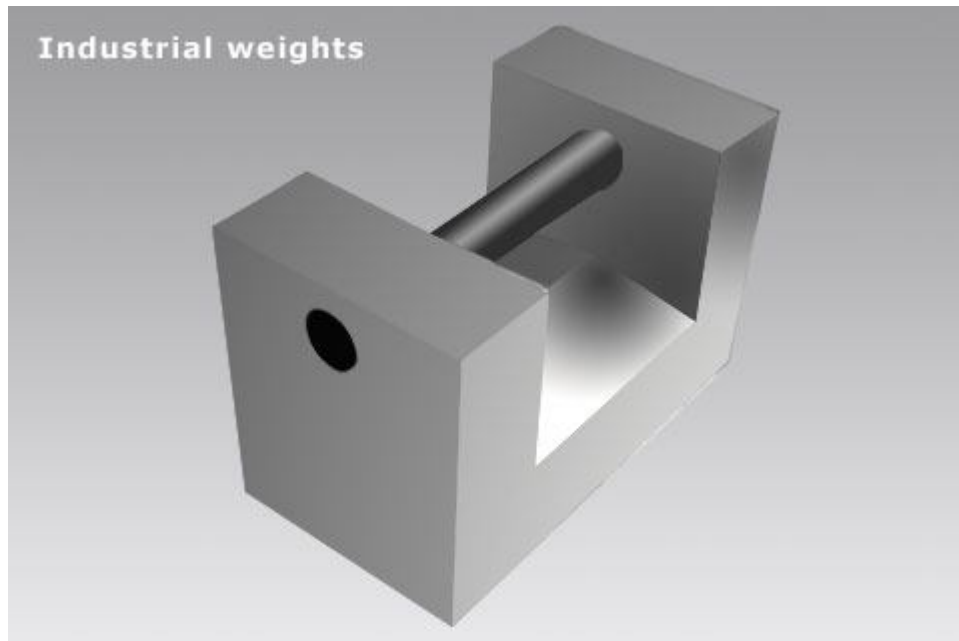


# COBOS

precision



## Industrial weights. Smelting iron weights.

WEIGHT	M3± g	M2± g	M1± g
5 Kg	2,5	0,80	0,25
10 Kg	5,00	1,60	0,50
20 Kg	10,00	3,00	1,00
50 Kg	25,00	8,0	2,50

## Accessories

Wood box for weight of 5Kg smelting iron.

Wood box for weight of 10Kg smelting iron

Wood box for weight of 20Kg smelting iron